

SVF-100

Miniature Dry Floating Scroll Vacuum Pump

- Patent protected Floating Scroll Technology.
- 100% oil free .
- Maintenance free.
- Compact size ideal for portable equipment.

Applications

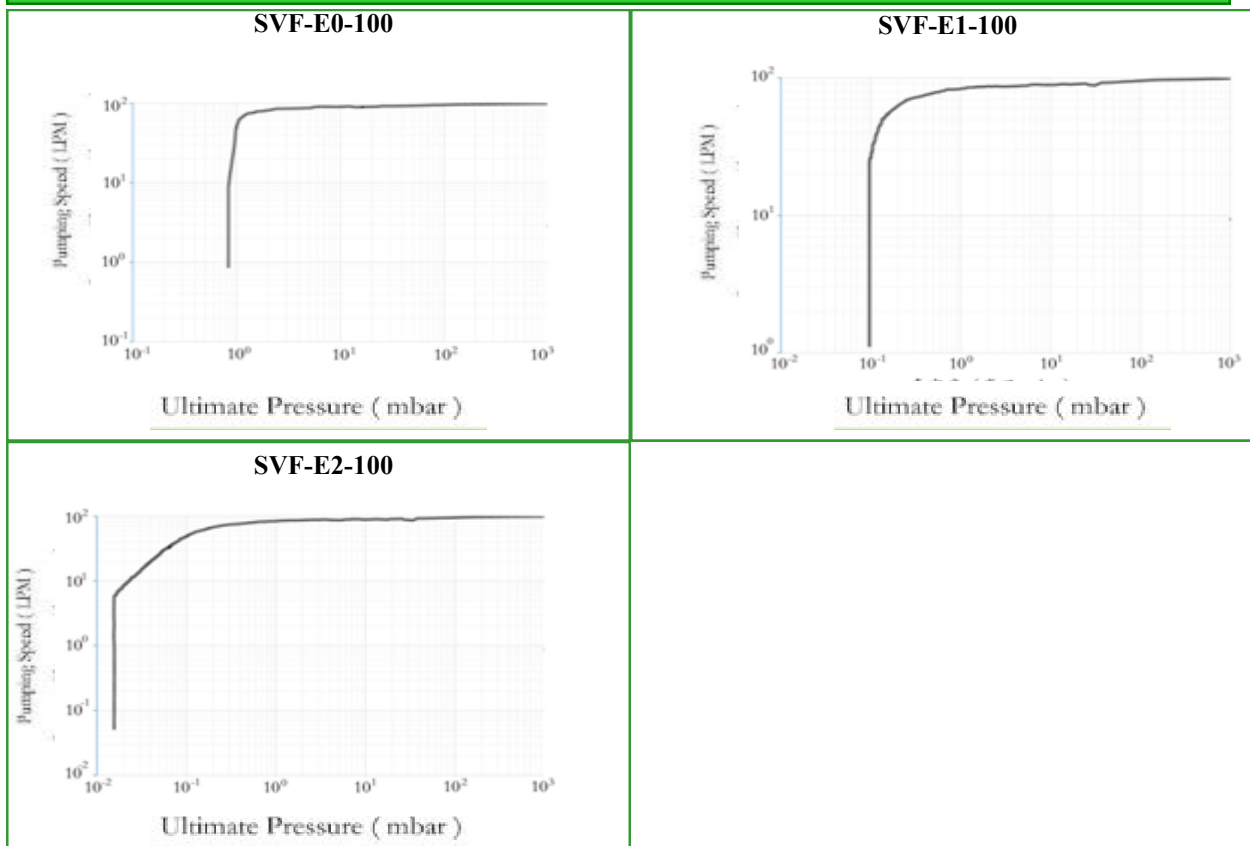
Analytical instrumentation , laboratories , backing pump for turbo pumps , practically in all areas in which clean vacuum is needed .



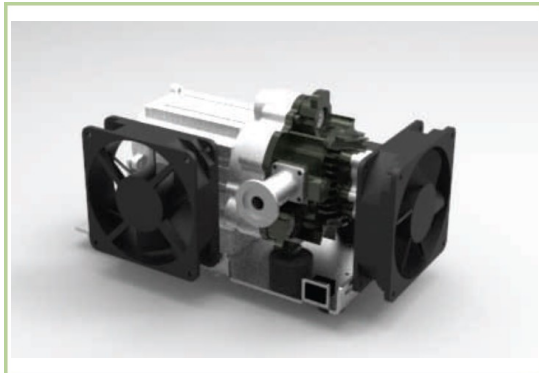
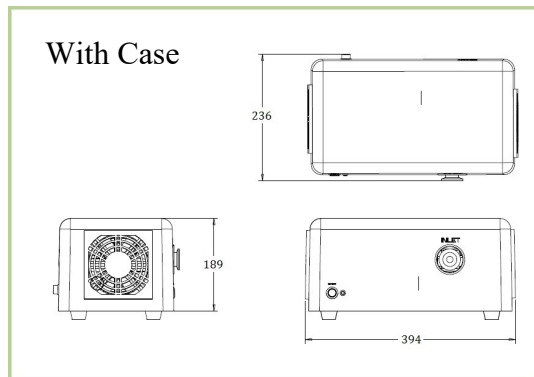
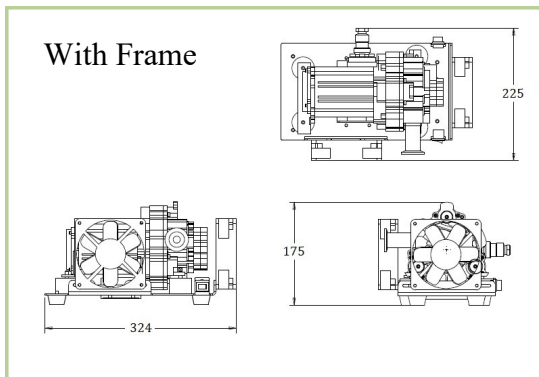
Technical Data

Model	SVF-E0-100	SVF-E1-100	SVF-E2-100
Pump Speed	100 L/min	100 L/min	100 L/min
Ultimate Pressure	≤ 1 mbar (100 Pa)	≤ 0.1 mbar (10 Pa)	≤ 0.03 mbar (3Pa)
Motor Power	350 W	350 W	350 W
Installed Power	200 W	200 W	200 W
Motor Type	Brushless DC Motor	Brushless DC Motor	Brushless DC Motor
DC Voltage	48 VDC	48 VDC	48 VDC
AC Voltage (with adapter)	100 - 240 VAC	100 - 240 VAC	100 - 240 VAC
Maximum Speed	4000 RPM	4000 RPM	4000 RPM
Vapor Tolerance	Unlimited	Unlimited	Unlimited
Maximum Inlet Speed	Unlimited	Unlimited	Unlimited
Maximum Outlet Speed	1 barg	1 barg	1 barg
Noise Level (With Frame)	60 dB(A)	60 dB(A)	60 dB(A)
Noise Level (With Case)	55 dB(A)	55 dB(A)	55 dB(A)
Weight (With Frame)	7.5 kg	7.5 kg	7.5 kg
Weight (With Case)	8.5 kg	8.5 kg	8.5 kg
Dimensions (With Frame)	324×225×175mm	324×225×175mm	324×225×175mm
Dimensions (With Case)	394×236×189mm	394×236×189mm	394×236×189mm
Inlet/Outlet Connection	KF-25 or G 3/8"	KF-25 or G 3/8"	KF-25 or G 3/8"
Cooling System	Air - Cooled	Air - Cooled	Air - Cooled
Ambient Temperature	-40°C to 50°C	-40°C to 50°C	-40°C to 50°C

Pumping Curve



Dimensions (mm)& Product Image



Website: www.scrolllabs.com
 Phone: +1 (630) 783-2608
 Fax: +1 (630) 783-2609
 Email: infousa@scrolllabs.com
 Address: 479 Quadrangle Drive, Suite G ,
 Bolingbrook, IL 60440, USA